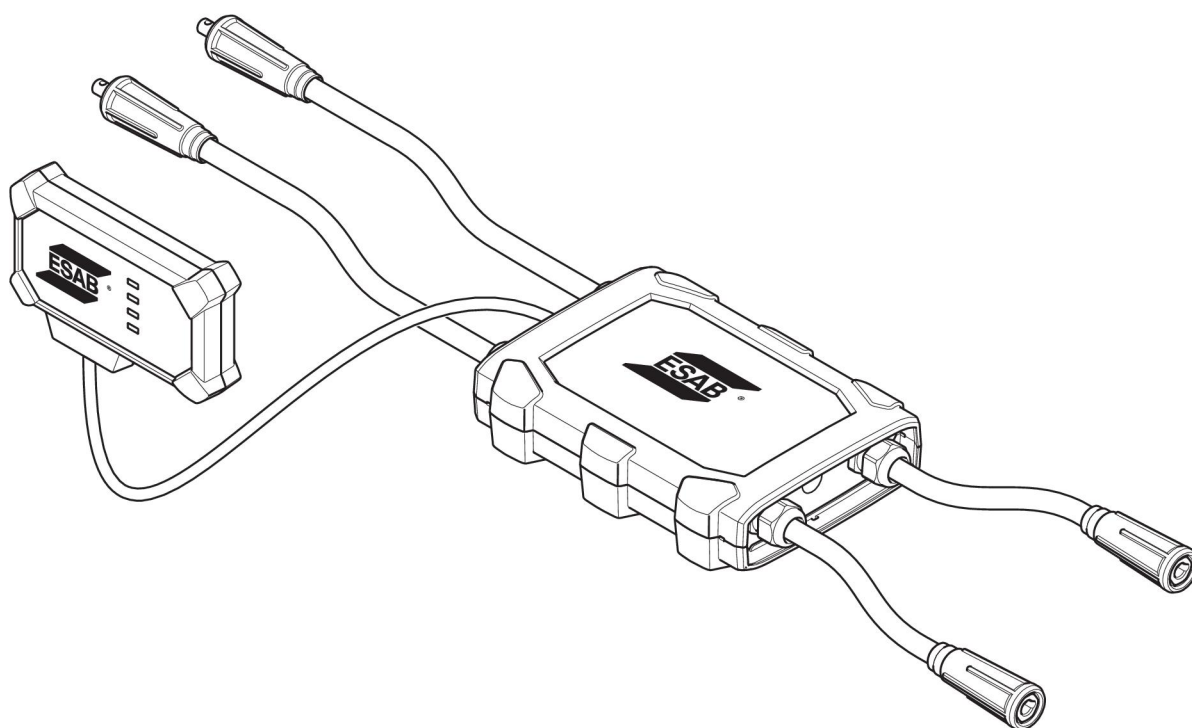




# ***WeldCloud™ Universal Connector***



## **Spare parts list**

Spare parts may be ordered through your nearest ESAB dealer, see [esab.com](https://www.esab.com). When ordering, please state product type, serial number, denominations and ordering numbers according to the spare parts list. This facilitates dispatch and ensures correct delivery.

Maintenance and repair work should be performed by an experienced person, and electrical work only by a trained electrician. Use only recommended spare parts.

For accessories to the product, see the instruction manual.

TABLE OF CONTENTS

---

**SPARE PARTS ELECTRONICS BOX..... 4**

**SPARE PARTS SENSOR BOX ..... 6**

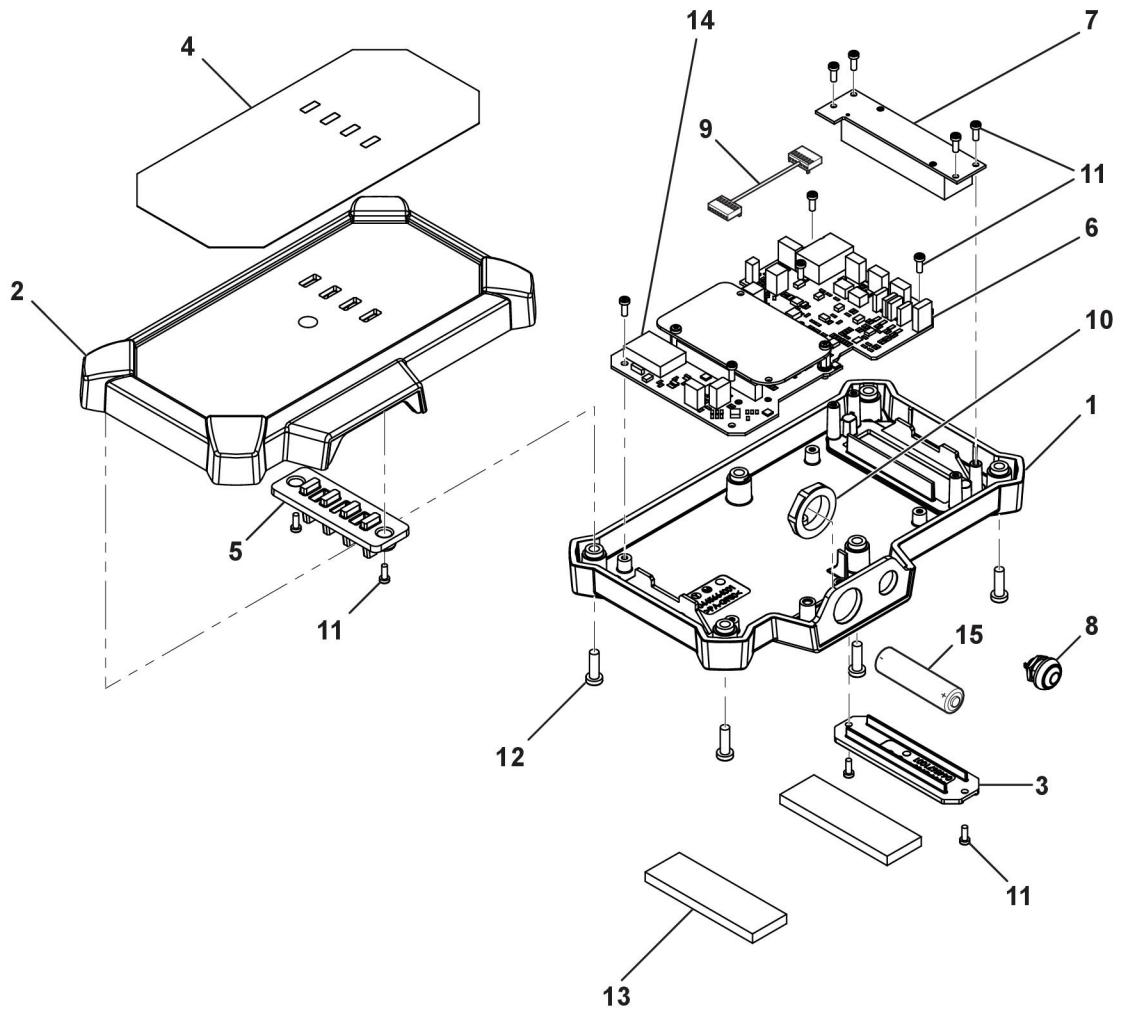
**WEAR PARTS..... 8**

## SPARE PARTS ELECTRONICS BOX

Item	Qty	Ordering no.	Denomination	Notes
1	1	0445 664 001	Bottom housing electronics box	
2	1		Top housing electronics box	See item 101.
3	1		Battery lid electronics box	See item 102.
4	1		Top label electronics box	See item 101.
5	1		Light guide	See item 101.
6	1		PCBA complete electronic box	The part cannot be replaced. In case of breakdown please contact ESAB service team for resolution.
7	1	0440 310 880	Battery holder board	25AP2*)
8	1	0445 737 880	Button harness	
9	1	0445 854 880	Battery harness	
10	1		Counter nut M20	
11	11		Screw remform 3×8	See items 101 and 102.
12	6		Screw remform 5×16	
13	4		Dual lock Velcro® tape	For attachment of electronics box
14	1		Lithium Coin Cell Battery, 3 V, 225 mAh	Wear part, See "WEAR PARTS", page 8.
15	1		Lithium-ion battery, type 18650	Wear part, See "WEAR PARTS", page 8.

Item	Ordering no.	Denomination	Notes
101	0445 864 880	Top housing EB kit	Including items 2, 4, 5 and 11 (2 pcs)
102	0445 865 880	Battery lid kit	Including items 3 and 11 (2 pcs)

\*) Component designation in the circuit diagram

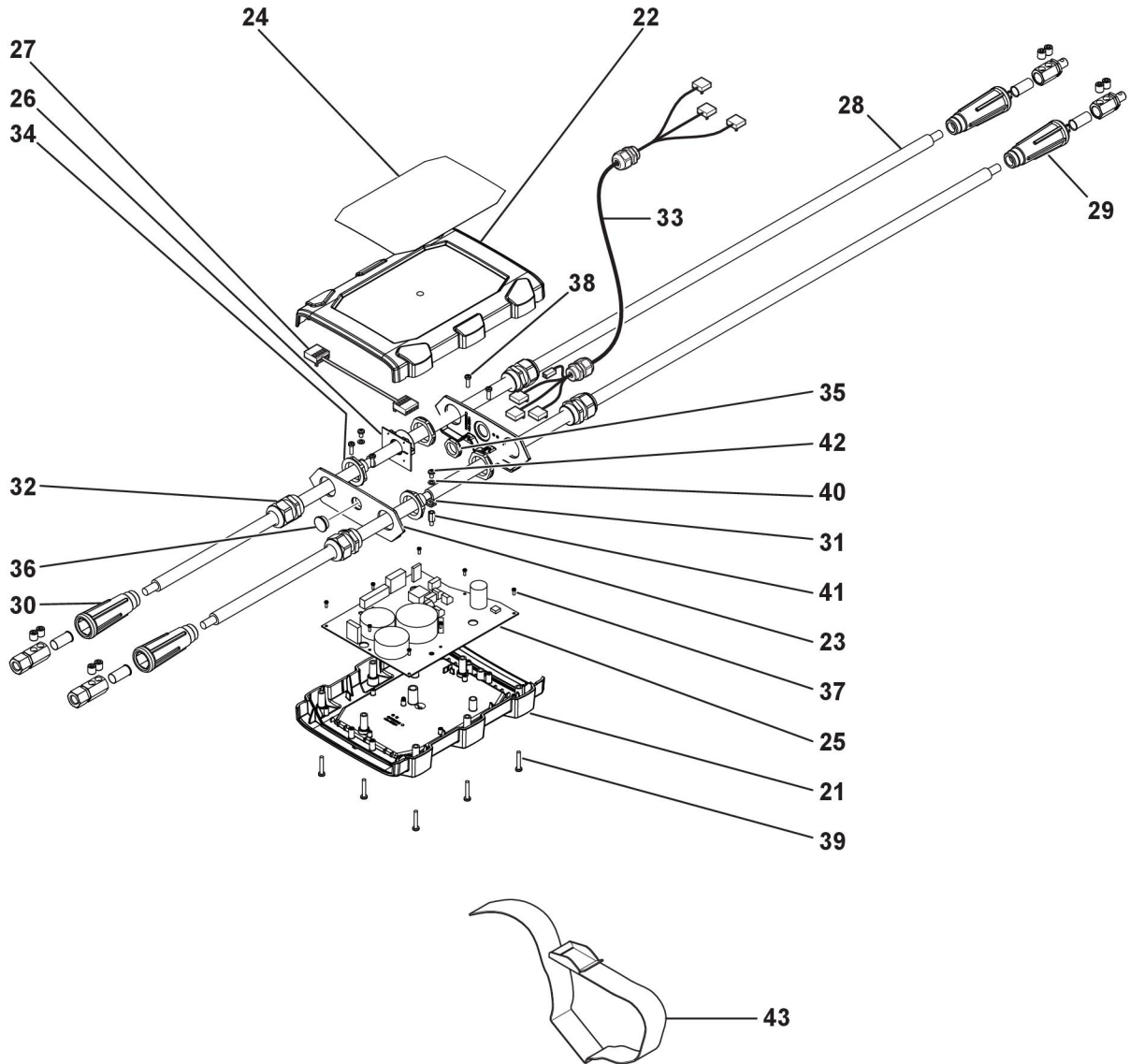


## SPARE PARTS SENSOR BOX

Item	Qty	Ordering no.	Denomination	Notes
21	1	0445 653 001	Bottom housing sensor box	
22	1		Top housing sensor box	See item 202.
23	2		Wall housing	See item 201.
24	1		Top label sensor box	See item 202.
25	1		PCBA Sensor box	The part cannot be replaced. In case of breakdown please contact ESAB service team for resolution.
26	1		PCBA Current sensor	The part cannot be replaced. In case of breakdown please contact ESAB service team for resolution.
27	1	0445 687 880	Current sensor harness	
28	2	0445 673 880	Weld cable sensor box	
29	2	0160 360 882	OKC connector male 95 mm <sup>2</sup>	
30	2	0160 361 882	OKC connector female 95 mm <sup>2</sup>	
31	2		Cable clamp	See item 204.
32	4		Cable gland M32	See item 201.
33	1		Signal cable harness	See item 203.
34	4		Counter nut M32	See item 201.
35	2		Counter nut M20	See items 201 and 203.
36	1		Blind plug M20	Only used in connector with ordering no. 0445 690 880. See item 201.
37	9		Screw remform torx 3×8	
38	4		Screw remform torx 5×16	
39	8		Screw MRT M5×35 black	
40	2		Plain washer 5-200 HV-A2K	See item 204.
41	2		Spacing screw M5×15	See item 204.
42	2		Screw MRT M5×8 black	See item 204.
43	2	0192 855 001	Ratchet strap	For attachment of sensor box

Item	Ordering no.	Denomination	Notes
201	0445 862 880	Cable gland kit	Including items 23 (1 pcs), 32 (2 pcs), 34 (2 pcs), 35 (1 pcs) and 36
202	0445 863 880	Top housing SB kit	Including items 22 and 24
203	0445 884 880	Signal cable harness kit	Including items 33 and 35 (2 pcs)
204	0445 885 880	Cable clamp kit	Including 2 pcs each of items 31, 40, 41 and 42

SPARE PARTS SENSOR BOX



WEAR PARTS

---

WEAR PARTS

---

<b>Ordering number</b>	<b>Denomination</b>	<b>Notes</b>
0194 008 101	Lithium Coin Cell Battery	3 V, 225 mAh
0445 670 001	Lithium-ion battery	Type 18650







# A WORLD OF PRODUCTS AND SOLUTIONS.



For contact information visit [esab.com](http://esab.com)

ESAB AB, Lindholmsallén 9, Box 8004, 402 77 Gothenburg, Sweden, Phone +46 (0) 31 50 90 00

<http://manuals.esab.com>

